



# Installation Guide

August 28, 2007

Rev. P

**MIRACLE**  
RECREATION EQUIPMENT COMPANY

## "C" Spring Riders - Rodeo Rocky, Cleo Lion, Chipper Squirrel, Sammy Seal, Moto-Cross, Frog, Schnozz Wump, Elephant, Jet Interceptor & ATV

"C" Spring Riders

**IMPORTANT!** Prior to installation of any components, refer to **Playsystem Installation Guidelines and Tips** in the *Install 101* section of your manual. This section will provide important tips pertaining to **site preparation, footings, system stabilization**, and other necessary information **vital to the success of your installation.**

### Models included in this installation guide:

<u>MODEL #</u>	<u>DESCRIPTION</u>	<u>PAGE #</u>
901	"Rodeo Rocky" "C" Spring Rider	2
917	"Cleo Lion" "C" Spring Rider	2
918	"Chipper Squirrel" "C" Spring Rider	2
919	"Sammy Seal" "C" Spring Rider	2
920	Moto-Cross "C" Spring Rider	3
932	Frog "C" Spring Rider	3
933	"Schnozz Wump" "C" Spring Rider	3
938	Elephant "C" Spring Rider	3
940	Jet Interceptor "C" Spring Rider	4
953	ATV "C" Spring Rider	4

***Please refer to Construction Drawings for the model particular to your system.***

### **TOOLS AND EQUIPMENT REQUIRED**

*Also see "Suggested Tools & Equipment" in "Installations 101"*

1. Digging equipment for footing hole (spade shovel, post hole digger, auger)
2. Concrete for footing, wheelbarrow or mixer, 5 gallon bucket, water supply
3. Bracing materials (2x4s, wood pieces, concrete blocks, bricks, sawhorses, jack stands, etc.)
4. Tape measure and level
5. Open end wrench set, Allen and 6-Lobe wrenches or bits, socket set, screwdrivers
6. Adult installers - 2 minimum

# "C" Spring Riders

901

"Rodeo Rocky" "C" Spring Rider



917

"Cleo Lion" "C" Spring Rider



918

"Chipper Squirrel" "C" Spring Rider



919

"Sammy Seal" "C" Spring Rider



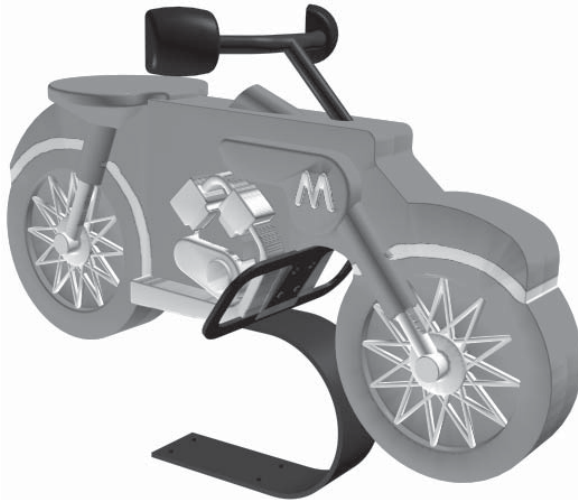


**MIRACLE** "C" Spring Riders  
RECREATION EQUIPMENT COMPANY

"C" Spring Riders

**920**

**Moto-Cross "C" Spring Rider**



**932**

**Frog "C" Spring Rider**



**933**

**"Schnozz Wump" "C" Spring Rider**



**938**

**Elephant "C" Spring Rider**



# "C" Spring Riders

940

Jet Interceptor "C" Spring Rider

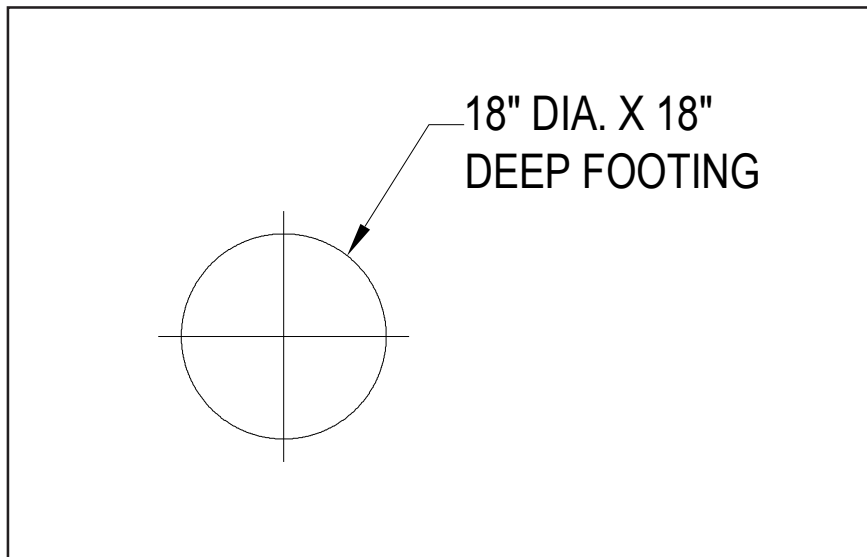


953

ATV "C" Spring Rider



## FOOTING LAYOUT:





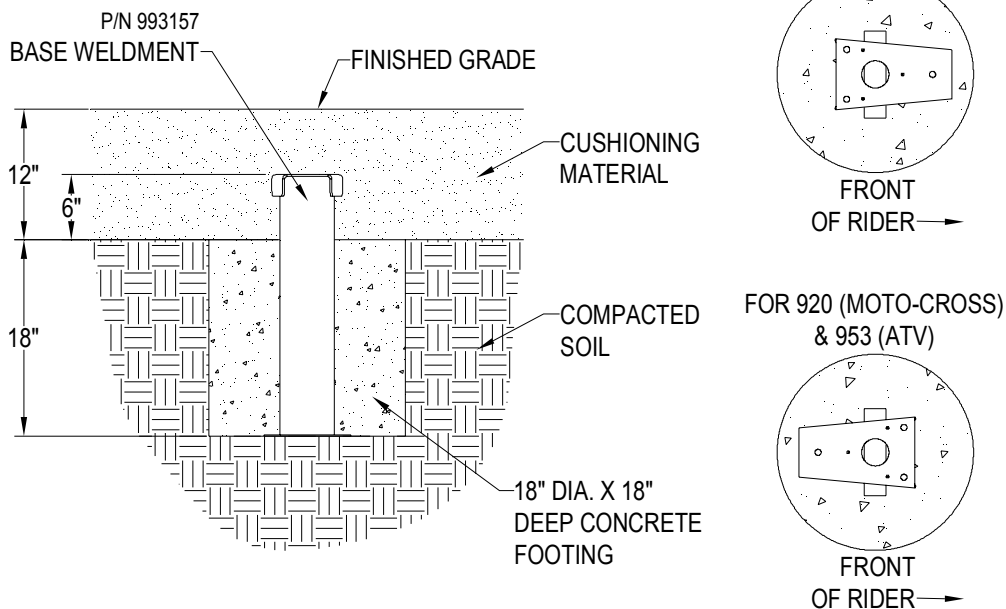
# MIRACLE "C" Spring Riders RECREATION EQUIPMENT COMPANY

## STEP 1 DIG FOOTINGS

### Footing Assembly instructions for natural surfacing in ground ONLY:

Consult the *CPSC Handbook* for guidelines for placement of Spring Riders, Bouncers, etc. Locate and dig one **18" diameter footing, 18" deep**.

**NOTE: Orientation of Base Weldment will affect direction of Rider. See illustration below.**



## STEP 2 LEVEL BASE WELDMENT IN FOOTING; POUR CONCRETE

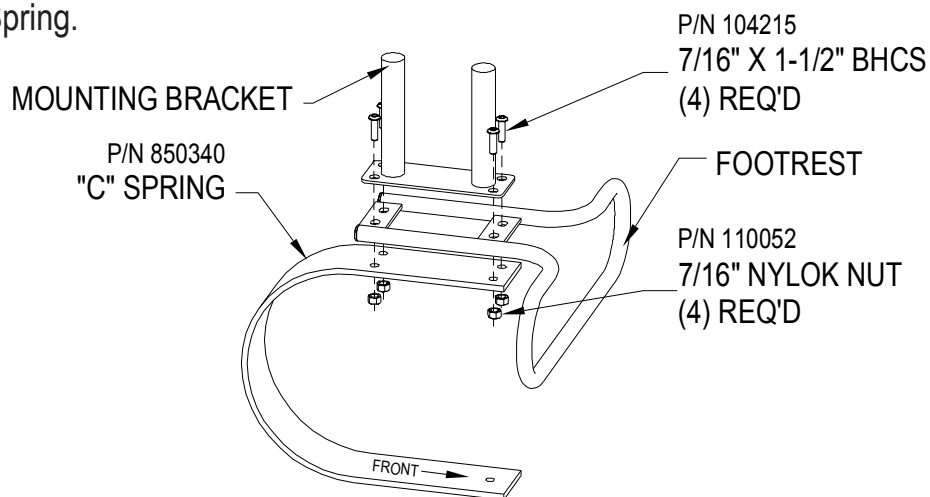
Ensure Base Weldment is completely plumb and level prior to pouring concrete. Pour concrete to required distance from Base Weldment top (see Step 1 illustration) and allow to cure completely prior to affixing Rider Assembly.

## "C" Spring Riders

### **STEP 3** AFFIX RIDER MOUNTING BRACKET TO FOOTREST, "C" SPRING

**NOTE: Follow this step ONLY if attaching Rodeo Rocky (Model #901), Cleo Lion (Model #917), Chipper Squirrel (Model #918), or Sammy Seal (Model #919) . If you do NOT have these models, please skip to Step 6.**

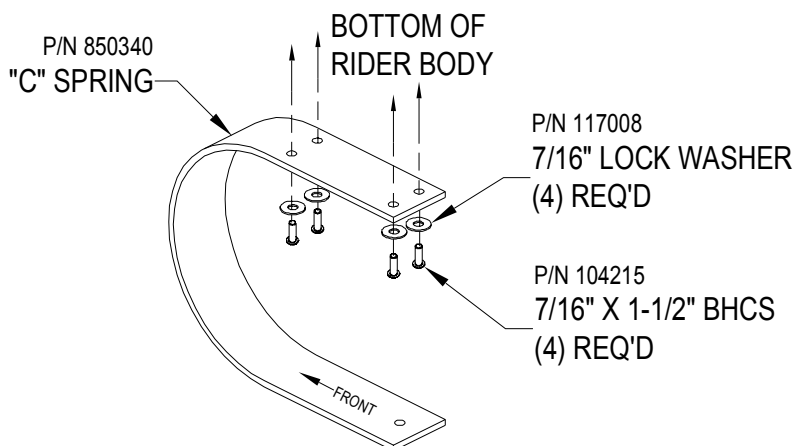
From top of Assembly, secure bolts **downward** through Rider Mounting Bracket, Footrest and "C" Spring.



### **STEP 4** ATTACH RIDER BODY TO "C" SPRING

**NOTE: Follow this step ONLY if attaching Moto-Cross (Model #920) . If you do NOT have this model, please skip to Step 7.**

From bottom of Assembly, secure bolts upward through "C" Spring into Rider body.





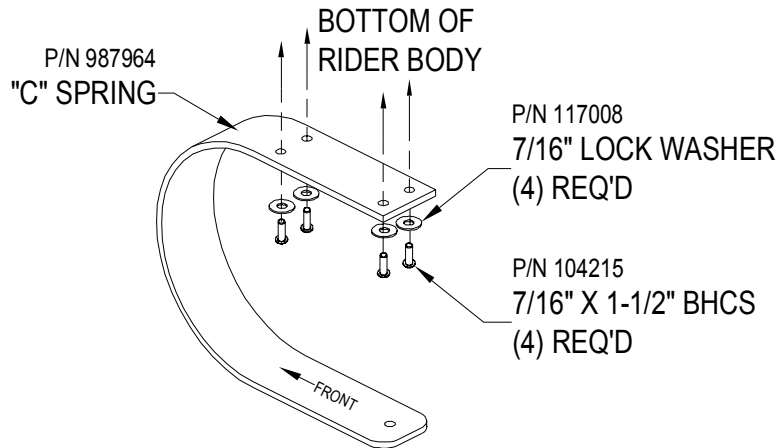
# MIRACLE "C" Spring Riders

"C" Spring Riders

## STEP 5 ATTACH RIDER BODY TO "C" SPRING

**NOTE: Follow this step ONLY if attaching ATV (Model #953) .  
If you do NOT have this model, please skip to Step 8.**

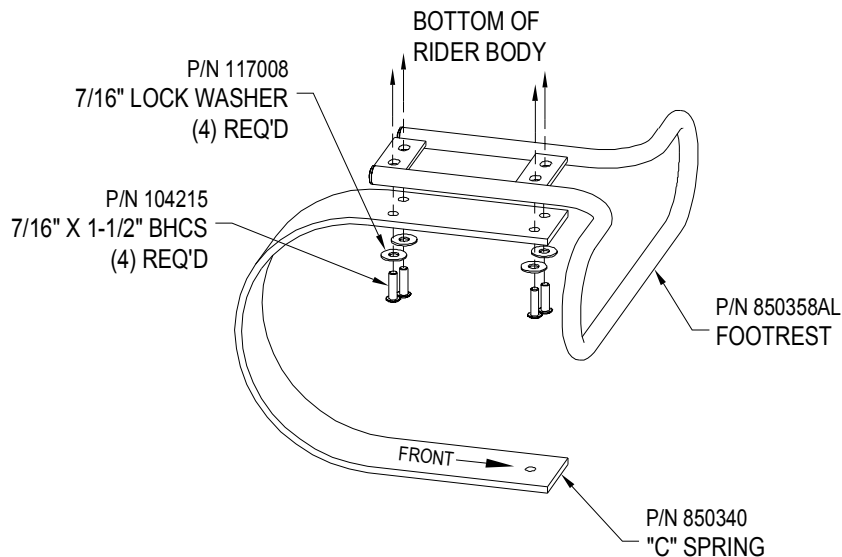
From bottom of Assembly, secure bolts upward through "C" Spring into Rider body.



## STEP 6 ATTACH RIDER BODY TO "C" SPRING

**NOTE: Follow this step ONLY if attaching Frog (Model #932), Schnozz Wump (Model #933), Elephant (Model # 938), or Jet Interceptor (Model # 940).  
If you do NOT have this model, please skip to Step 9.**

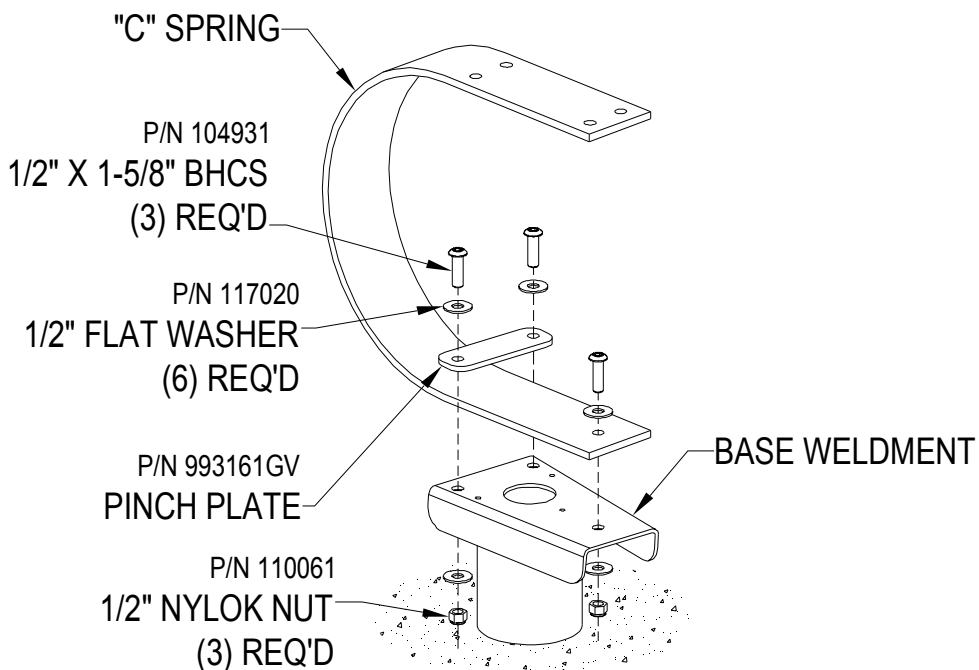
From bottom of Assembly, secure bolts upward through "C" Spring into Rider body.



## "C" Spring Riders

### **STEP 7** BOLT "C" SPRING WITH ATTACHED RIDER BODY TO BASE WELDMENT

Make certain concrete has cured. Bolt Pinch Plate over "C" Spring and Base as shown. Bolt Spring to front of Base. Ensure "C" Spring and Rider are level and plumb on Base.



### **FINAL STEP**

Proceed with *Final Assembly installation*.





# MIRACLE "C" Spring Riders

RECREATION EQUIPMENT COMPANY

"C" Spring Riders

QUANTITY	PART NO.	DESCRIPTION
<b>"RODEO ROCKY" "C" SPRING RIDER - MODEL # 901</b>		
1	850307	PARTS CARTON R.R. ANIMALS (SEE BELOW FOR CONTENTS)
1	850340	C. SPRING
1	989783AL	FOOTREST-SPRING RIDERS AL
1	980376P	RODEO ROCKY 901 ASSEMBLY
1	993157GV	GALVANIZED ASSEMBLY C RIDER FRAME

<b>"CLEO LION" "C" SPRING RIDER - MODEL # 917</b>		
1	850307	PARTS CARTON R.R. ANIMALS (SEE BELOW FOR CONTENTS)
1	850340	C. SPRING
1	989783AL	FOOTREST-SPRING RIDERS AL
1	980378	LION ONLY
1	993157GV	GALVANIZED ASSEMBLY C RIDER FRAME

<b>"CHIPPER SQUIRREL" "C" SPRING RIDER - MODEL # 918</b>		
1	850307	PARTS CARTON R.R. ANIMALS (SEE BELOW FOR CONTENTS)
1	850340	C. SPRING
1	989783AL	FOOTREST-SPRING RIDERS AL
1	980380	SQUIRREL ONLY
1	993157GV	GALVANIZED ASSEMBLY C RIDER FRAME

<b>"SAMMY SEAL" "C" SPRING RIDER - MODEL # 919</b>		
1	850307	PARTS CARTON R.R. ANIMALS (SEE BELOW FOR CONTENTS)
1	850340	C. SPRING
1	989783AL	FOOTREST-SPRING RIDERS AL
1	980382	SEAL ONLY
1	993157GV	GALVANIZED ASSEMBLY C RIDER FRAME

**PARTS CARTON # 850307 CONTENTS:**

4	104215	BOLT 7/16-14 X 1-1/2 BHCS 6 LOBE 18-8 SS
3	104931	BOLT 1/2-13 X 1-5/8 BHCS 6 LOBE 18-8 SS
4	110052	NUT 7/16-14 HEX NYLOK 18-8 SS
3	110061	NUT 1/2-13 HEX NYLOK 18-8 SS
6	117020	WASHER 1/2 FLAT 18-8 SS
1	993161GV	PINCH PLATE BLACK SPRING RIDERS
1	116021	LABEL MIRACLE ID - GENERIC
1	116022	LABEL WARNING - PLAYGROUND
1	104478	BIT T-50 FOR 7/16 BOLT
1	104481	BIT T-55 FOR 1/2 BOLT

**MOTO-CROSS "C" SPRING RIDER - MODEL # 920**

1	805001P	MOTORCYCLE - BXD W/ HDLBR&FTRST
1	850340	C. SPRING
1	901355	PARTS CARTON - USED ON #920 (SEE BELOW FOR CONTENTS)
1	993157GV	GALVANIZED ASSEMBLY C RIDER FRAME

**BOXED ROCKITE RIDER W/ HANDLEBAR & FOOTREST # 805001P**

1	805005P	MOTORCYCLE PAINTED
---	---------	--------------------

... CONTINUED NEXT PAGE

**"C" Spring Riders****"C" Spring Riders**

<u>QUANTITY</u>	<u>PART NO.</u>	<u>DESCRIPTION</u>
...CONTINUED FROM PREVIOUS PAGE		
1	985627BK	FOOTREST, MOTO-CROSS RIDER PVC COATED
2	104052	BOLT 3/8-16 X 5/8 BHCS 6 LOBE 18-8 SS
2	117005	WASHER 3/8 FLAT 18-8 SS
2	980177BK	COVER-RIDER HANDLE BK
1	980286BK	HANDLE BAR WLDMT MOTORCROSS BLACK

**PARTS CARTON # 901355 CONTENTS:**

8	104286	BOLT 3/8-16 X 1 BHCS 6 LOBE 18-8 SS
4	104215	BOLT 7/16-14 X 1-1/2 BHCS 6 LOBE 18-8 SS
3	104931	BOLT 1/2-13 X 1-5/8 BHCS 6 LOBE 18-8 SS
3	110061	NUT 1/2-13 HEX NYLOK 18-8 SS
4	117008	WASHER 7/16 LOK 18-8
8	117012	WASHER 3/8 LOK 18-8 SS
6	117020	WASHER 1/2 FLAT 18-8 SS
1	993161GV	PINCH PLATE BLACK SPRING RIDERS
1	116021	LABEL MIRACLE ID - GENERIC
1	116022	LABEL WARNING - PLAYGROUND
1	104478	BIT T-50 FOR 7/16 BOLT
1	104481	BIT T-50 FOR 1/2 BOLT

**FROG "C" SPRING RIDER - MODEL # 932**

1	850340	C. SPRING
1	989783AL	FOOTREST-SPRING RIDERS AL
1	856117	PARTS FOX FOR 932 (SEE BELOW FOR CONTENTS)
1	980384	FROG ONLY
1	993157GV	GALVANIZED ASSEMBLY C RIDER FRAME

**"SCHNOZZ WUMP" "C" SPRING RIDER - MODEL # 933**

1	850340	C. SPRING
1	989783AL	FOOTREST-SPRING RIDERS AL
1	856117	PARTS BOX FOR 932 (SEE BELOW FOR CONTENTS)
1	980386	SCHNOZZ WUMP ONLY
1	993157GV	GALVANIZED ASSEMBLY C RIDER FRAME

**ELEPHANT "C" SPRING RIDER - MODEL # 938**

1	850340	C. SPRING
1	989783AL	FOOTREST-SPRING RIDERS AL
1	856117	PARTS BOX FOR 932 (SEE BELOW FOR CONTENTS)
1	980388	ELEPHANT ONLY
1	993157GV	GALVANIZED ASSEMBLY C RIDER FRAME

**JET INTERCEPTOR "C" SPRING RIDER - MODEL # 940**

1	850340	C. SPRING
1	989783AL	FOOTREST-SPRING RIDERS AL
1	856117	PARTS BOX FOR 932 (SEE BELOW FOR CONTENTS)
1	980390	JET 940 ASSEMBLY
1	993157GV	GALVANIZED ASSEMBLY C RIDER FRAME

... CONTINUED NEXT PAGE



# MIRACLE "C" Spring Riders

RECREATION EQUIPMENT COMPANY

"C" Spring Riders

QUANTITY      PART NO.      DESCRIPTION  
...CONTINUED FROM PREVIOUS PAGE

**PARTS CARTON # 856117 CONTENTS:**

4	104215	BOLT 7/16-14 X 1-1/2 BHCS 6 LOBE 18-8 SS
3	104931	BOLT 1/2-13 X 1-5/8 BHCS 6 LOBE 18-8 SS
3	110061	NUT 1/2-13 HEX NYLOK 18-8 SS
4	117008	WASHER 7/16 LOK 18-8
6	117020	WASHER 1/2 FLAT 18-8 SS
1	993161GV	PINCH PLATE BLACK SPRING RIDERS
1	116021	LABEL MIRACLE ID - GENERIC
1	116022	LABEL WARNING - PLAYGROUND
1	104478	BIT T-50 FOR 7/16 BOLT
1	104481	BIT T-55 FOR 1/2 BOLT

**ATV "C" SPRING RIDER - MODEL # 953**

1	986050P	SPRING RIDER, ATV ASSY W GRAPHICS
1	987964BK	"C" SPRING PAINTED ATV BIG TOW
1	986051	PARTS BOX FOR 953 (SEE BELOW FOR CONTENTS)
1	993157GV	GALVANIZED ASSEMBLY C RIDER FRAME

**PARTS CARTON # 986051 CONTENTS:**

4	104215	BOLT 7/16-14 X 1-1/2 BHCS 6 LOBE 18-8 SS
3	104931	BOLT 1/2-13 X 1-5/8 BHCS 6 LOBE 18-8 SS
3	110061	NUT 1/2-13 HEX NYLOK 18-8 SS
4	117008	WASHER 7/16 LOK 18-8
6	117020	WASHER 1/2 FLAT 18-8 SS
1	993161GV	PINCH PLATE BLACK SPRING RIDERS
1	116021	LABEL MIRACLE ID - GENERIC
1	116022	LABEL WARNING - PLAYGROUND
1	104478	BIT T-50 FOR 7/16 BOLT
1	104481	BIT T-55 FOR 1/2 BOLT